

WORLDWIDE LEADER IN OIL SHEAR TECHNOLOGY



POSISTOP CPB

**TIRE CURING PRESS
MOTOR BRAKE**



**DESIGNED FOR CURING PRESS DUTY
YEARS OF MAINTENANCE FREE SERVICE**

ISO 9001 CERTIFIED

MADE IN THE USA
USED WORLDWIDE

FORCECONTROL.COM

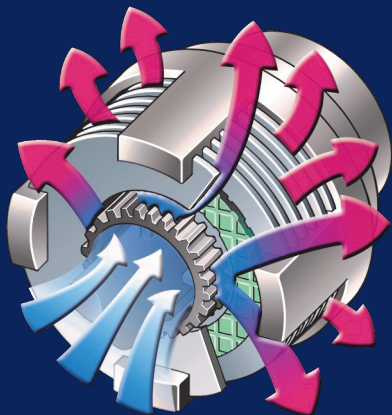
OIL SHEAR TECHNOLOGY

Oil Shear Technology Provides The Posistop CPB Brakes With Increased Cycle Life, Reduced Maintenance, and Lower Cost per Cycle.

The Posistop CPB motor brakes with Oil Shear Technology are of the wet or hydroviscous type which transmit torque between the drive plates and friction surfaces through shearing of the fluid. Specially formulated transmission fluid is used for cooling and provides a hydroviscous fluid film between the friction disc and the drive plate during the dynamic phase of engagement.

The transmission fluid in shear transmits torque between the two components increasing as the clamping pressure increases until mechanical lock up occurs. By cooling the friction surfaces and reducing the mechanical wear, a significant increase of thermal capacity and total cycle life is possible.

Other tire press brakes depend on friction between dry surfaces to transmit torque. During engagement the high heat caused by slipping cannot be dissipated quickly through the surrounding air. This causes wear, glazing, and degradation of the friction material. This can reduce torque, leading to inaccurate stopping position, limited service life and potential safety issues. The Force Control CPB brake solves these problems.

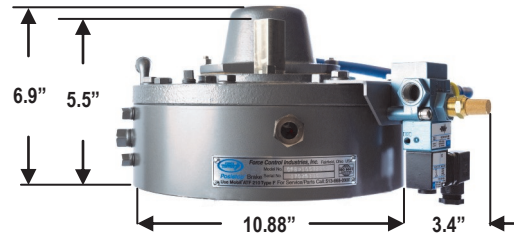


Force Control Industries, Inc.
3660 Dixie Hwy. Fairfield, OHIO USA
PH: 513-868-0900 | FAX: 513-868-2105
info@forcecontrol.com | www.forcecontrol.com

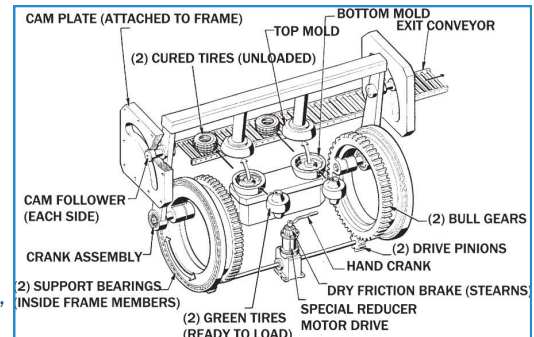
Cat.# Posistop CPB 0317

THE ADVANTAGE OF THE POSISTOP CPB BRAKES WITH OIL SHEAR TECHNOLOGY

The Posistop CPB brakes are designed specifically for curing press applications (McNeil/NRM) in the tire manufacturing industry. Get the advantages of Oil Shear Technology in a brake that is simple to install. Just 3 easy steps. (1) Set it on the motor, (2) tighten 4 bolts, (3) make the air line and electrical connections. You are now ready to make tires.



- This unique design will fit existing motors with the square shaft extending through the brake for emergency operation. .
- The Posistop CPB offers significantly improved service life (estimated 10+ years) with no maintenance*, and no adjustment – ever!
- The brake is spring set, direct acting air release, eliminating issues of coil burnout, corrosion, and constant adjustment and replacement.



- The heavy duty totally enclosed brake system with precision machined parts guarantees performance, and is not affected by moisture, steam, oil, or heat.

- Use the same brake for both vertical or horizontal applications.
- Consistent torque throughout the life of the brake provides consistent stopping position.

*Annual fluid change recommended for maximum service life.

THE SAFER—LONGER LASTING BRAKE

Specifications

CPB	1	2	3	4	5	Revision 6
	(1) Torque	(2) Bolt Circle	(3) Bore		(5) Valve*	
	60 =60 Lb. Ft.	7 =7.25"	1 =1-1/8"		V1 =Ship Valve Loose	
	75 =75 Lb. Ft.	9 =9.00"	2 =1-1/4"		V7 =Pre-Plumb & Mount.	
	90 =90 Lb. Ft.		3 =1-3/8"		N =No Valve	
	105 =105 Lb. Ft.		5 =1-5/8"		(4) Mounting	
	120 =120 Lb. Ft.		S =Special		S =Universal (Vertical Up or Horizontal)	
	135 =135 Lb. Ft.				X =Custom (C/F)	

*If ordering a valve specify valve voltage. Voltages available 115, 230 460 VAC, 24 VDC