

APPLICATION BULLETIN

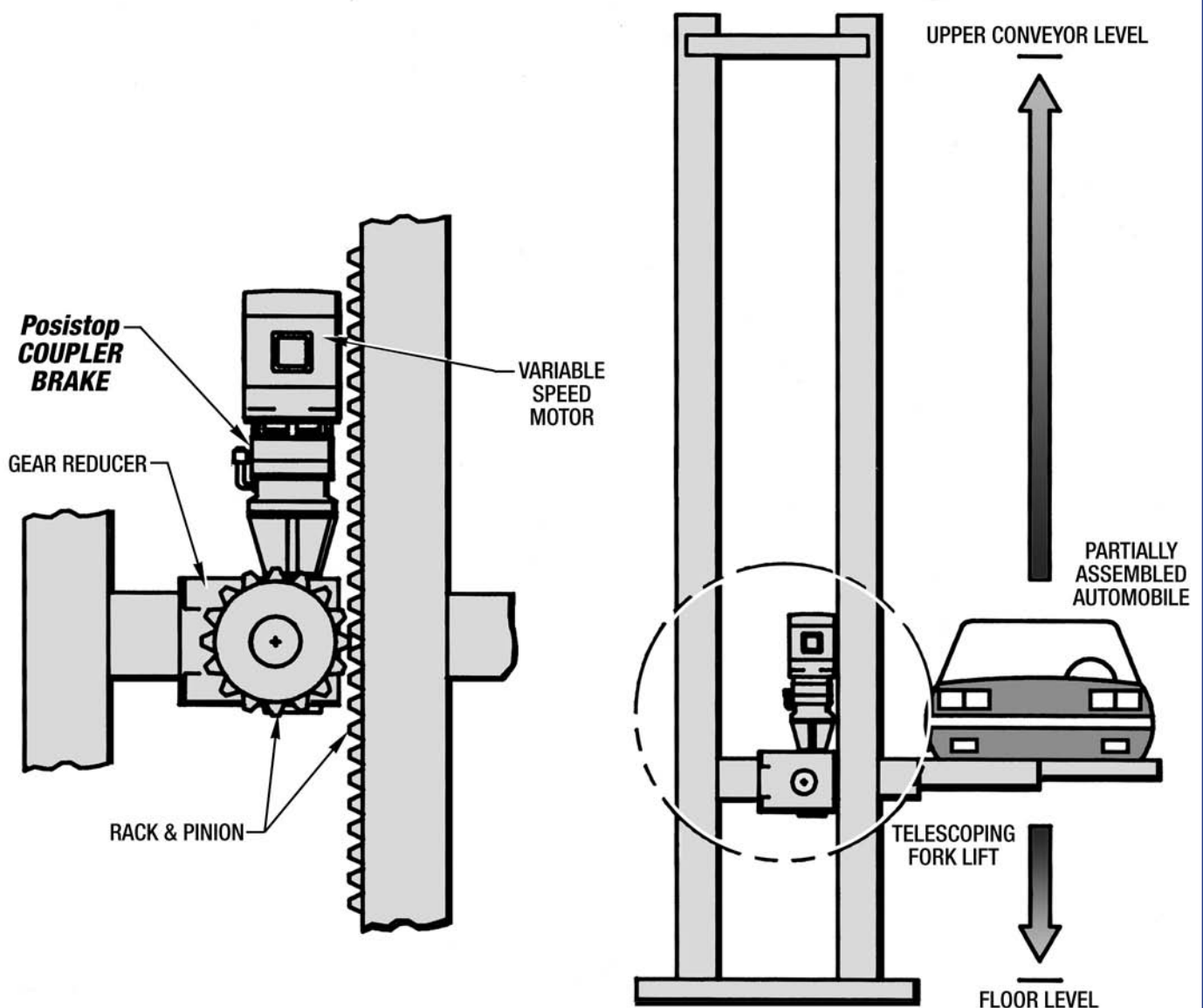


APPLICATION: Automotive Lift Elevator

INDUSTRY: Automotive Industry

PRODUCT: Oil Shear *Posistop* Coupler Brake

AUTOMOTIVE LIFT ELEVATOR



AUTOMOTIVE LIFT ELEVATOR

WHERE THEY ARE USED: Automotive Assembly Plants

HOW THEY WORK: A partial assembled car is transferred into a position where the telescoping forks of the elevator can extend under it. When the motor is energized the car is lifted to a power and free conveyor near the ceiling to be transferred to another operation. A second elevator will lower the car from the conveyor to the floor.

PROBLEM SOLVED: The *Posistop* enhances the design of the elevator in two ways:

1. Provides holding capability when the hoist is stopped.
2. Provides the elevator with an emergency stop feature.

IMPORTANT FEATURES:

- Easily mounted between the motor and the reducer.
- Lubricated friction surfaces provide long service life.
- Can easily be converted to a variety of torque ratings.
- Advanced friction material provides stable and accurate positioning.



FORCE CONTROL INDUSTRIES, INC.

3660 Dixie Highway Fairfield, Ohio 45014

Phone: 513-868-0900 Fax: 513-868-2105

E-Mail: info@forcecontrol.com Web: www.forcecontrol.com