

APPLICATION BULLETIN

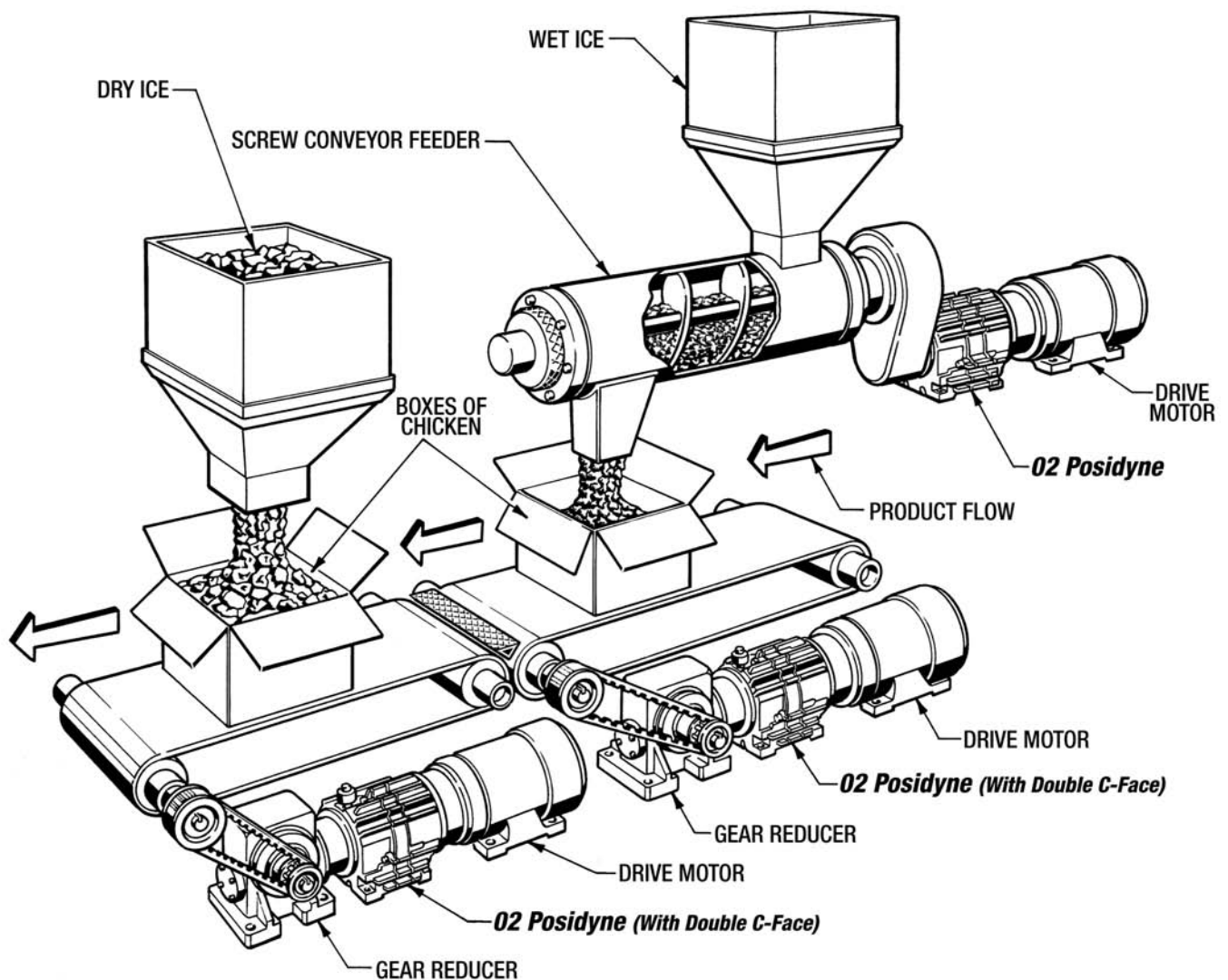


APPLICATION: Indexing Ice Packing

INDUSTRY: Chicken Packaging

PRODUCT: Oil Shear 02 Posidyne Clutch/Brakes

INDEXING ICE PACKING



INDEXING ICE PACKING

WHERE THEY ARE USED: Chicken packaging plants where ice is packed in the boxes of chicken parts. Could also be used where other food parts have ice packed in the package.

HOW THEY WORK: Three Size 02 **Posidynes** are used in this application - one on each of the indexing conveyors and one on the screw conveyor. The boxes of chicken are indexed in on the first conveyor and spotted under the screw conveyor. At the proper time the screw conveyor is started and run until a measured amount of ice is dispensed at which time it is stopped. The box is then indexed to the CO2 dispenser and the ice dispensed. The box is then indexed to shipping.

PROBLEMS SOLVED: This processing area has ice, water, high cycle rates etc. The totally enclosed sealed **Posidyne** is impervious to this type of environment plus it is not affected by the caustic high-pressure hose down.

IMPORTANT FEATURES:

- Totally enclosed cast iron housing for total protection from the environment.
- Multiple disc **Oil Shear** technology for improved starting and repeatable position stopping.
- Easy installation - complete assembly in one integrated package.
- High torque compact size will fit in a small space.
- Controllable acceleration and deceleration for smooth indexing.



FORCE CONTROL INDUSTRIES, INC.

3660 Dixie Highway Fairfield, Ohio 45014
Phone: 513-868-0900 Fax: 513-868-2105
E-Mail: info@forcecontrol.com Web: www.forcecontrol.com