

APPLICATION BULLETIN

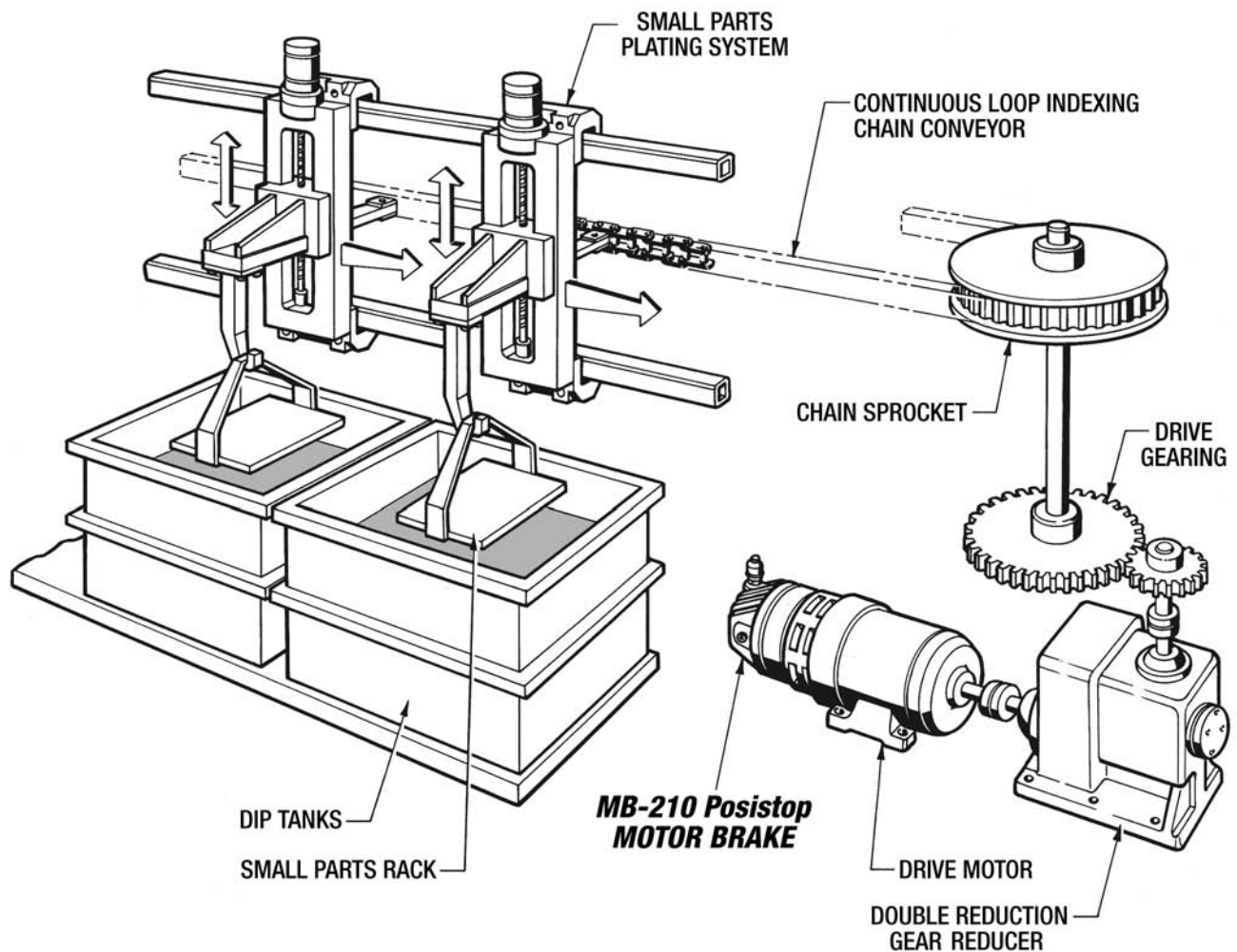


APPLICATION: Chemical Treating Conveyor

INDUSTRY: Small Parts Mfg., Plating, Electronic Parts, etc.

PRODUCT: Posistop Motor Brake

CHEMICAL TREATING CONVEYOR



CHEMICAL TREATING CONVEYOR

WHERE THEY ARE USED: As the main indexing drive on batch type chemical dip tanks where the parts are dipped into a series of chemical solutions in a continuous process.

HOW THEY WORK: Hangers, which hold baskets of parts are connected to a continuous loop of chain located above a row of dip tanks which hold the chemical solutions. The baskets are lifted out of the tanks and the loop is indexed by the Motor Brake. The **Posistop** Motor Brake stops the system directly over the tanks where the baskets are lowered into the next solution.

PROBLEMS SOLVED: The multiple disc **Oil Shear** technology contributes to extremely long life, no adjustment and minimum maintenance over many years. The **Posistop** Motor Brake stops the system with consistent accuracy so the baskets do not hit the edge of the tank causing spillage. The smooth engagement also reduces swinging of the baskets in some applications.

IMPORTANT FEATURES:

- Totally enclosed design reduces contamination, or corrosion damage from hostile chemicals.
- Multiple disc, **Oil Shear** technology eliminates the need for adjustment. Reduces maintenance and provides long service life.
- Advanced friction materials provide smooth, consistent stopping.



FORCE CONTROL INDUSTRIES, INC.

3660 Dixie Highway Fairfield, Ohio 45014

Phone: 513-868-0900 Fax: 513-868-2105

E-Mail: info@forcecontrol.com Web: www.forcecontrol.com